

# Technical Data Sheet

## Ice Generators



DANTECH

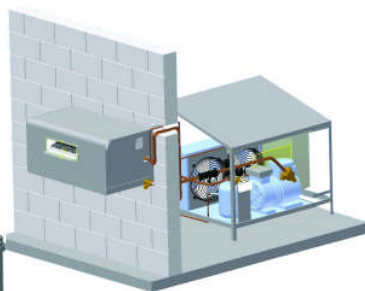
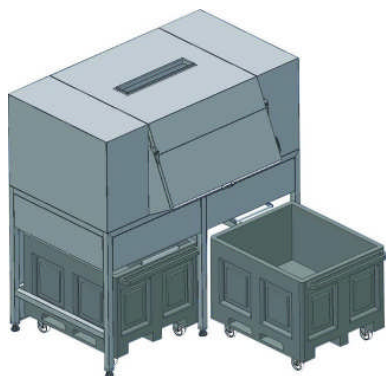


Ice Generators designed for the production of 'dry' ice flakes for use in the food processing industry. Each ice generator has the option of an insulated ice container extends ice storage time.

### ICE GENERATOR

#### Construction Advantages:

- Stainless steel construction
- Efficient cooling system
- Automatic control system
- Option to separate the evaporator from the aggregate,
- Automatic water drain
- Optional UV disinfection of supply water
- Excellent ice parameters: dry ice flake thickness approx 1mm,
- Low temperature (-9C to -11C and large flake surface)
- Optional heat recovery from the compressor



Model		WL-500/ WL-250	WL-500P*	WL-1100/ WL-1100P*	WL-2200/ WL-2200P*	WL-3100P*	WL-5000P*
Production *	kg/24h	~250	~500	~1100	~2200	~3100	~5000
<b>Dimensions</b>							
Length	mm	830	905/550*	1115/550*	1405/550*	580*	700*
Width	mm	760	845	1005	1285	1355*	1550*
Height	mm	1110	1265/485*	1280/485*	1315/485*	515*	665*
Weight	kg	240	280/120*	390 / 130*	595 /175*	200*	375*

\* Ice production capacity (ambient temp. 15°C, water temp. +5-+15°C)



All machines are subject to continuous improvement

DanTech UK Ltd  
Merlin Park  
Ringtail Road, Burscough  
Lancashire L40 8JY  
Great Britain

Registered Address: McParland Williams, Maghull Business Centre, 1 Liverpool Road North, Maghull, L31 2HB  
Company Registration No 3918734

**The DanTech Group**  
DanTech DK APS (Denmark)      DanTech Engineering Ltd

T: 0044 (0) 845 127 9080  
F: 0044 (0) 845 127 9081  
W: dantechuk.com  
E: sales@dantechuk.com