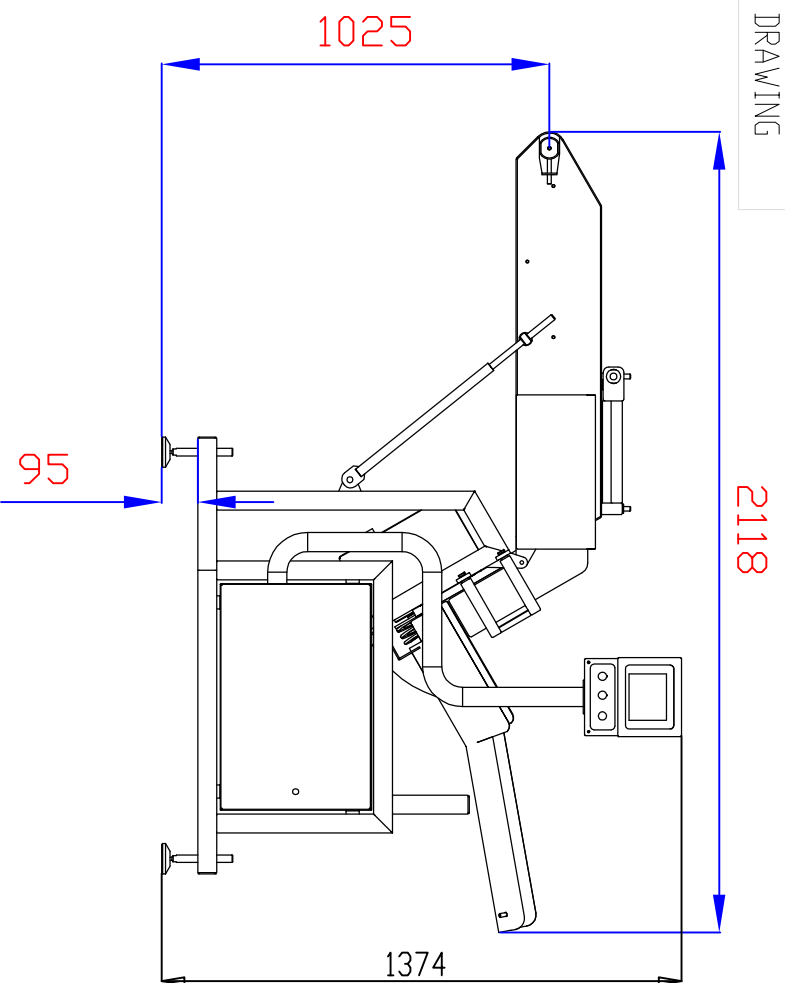


3rd ANGLE DRAWING



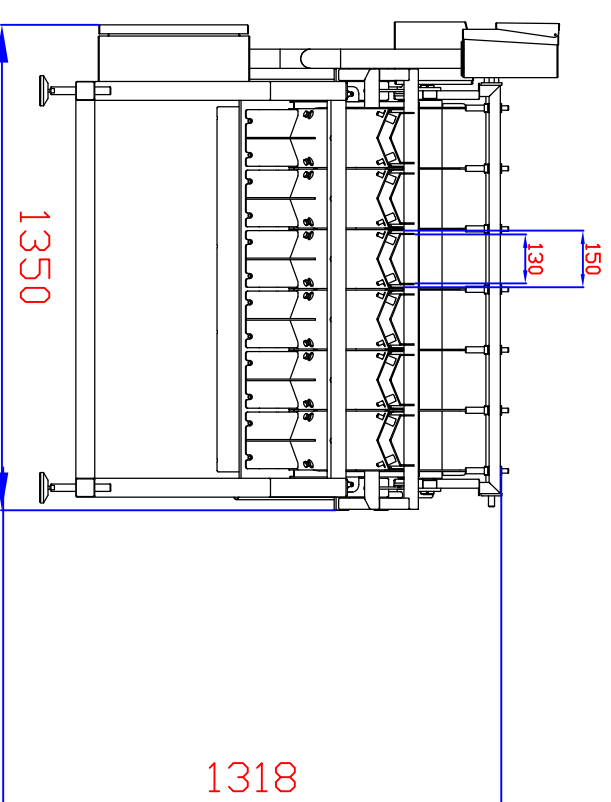
2118

1025

1374

95

3rd ANGLE DRAWING

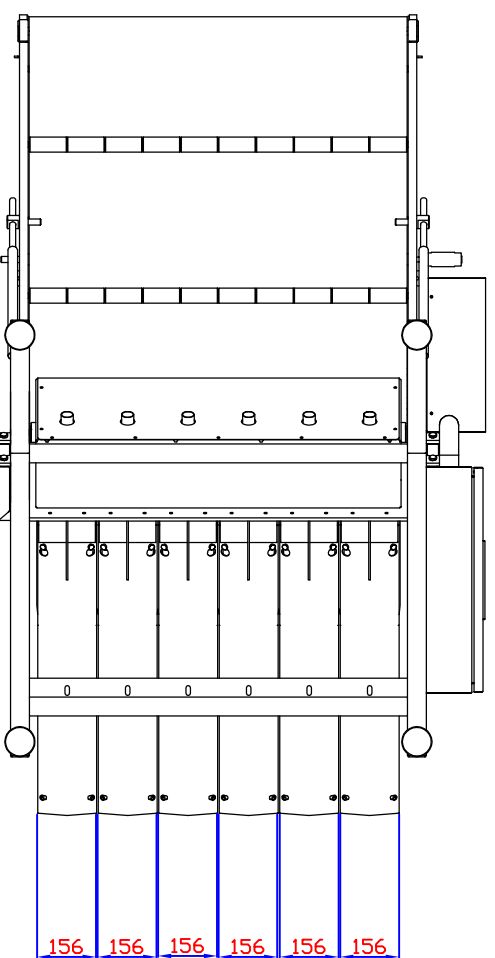


150

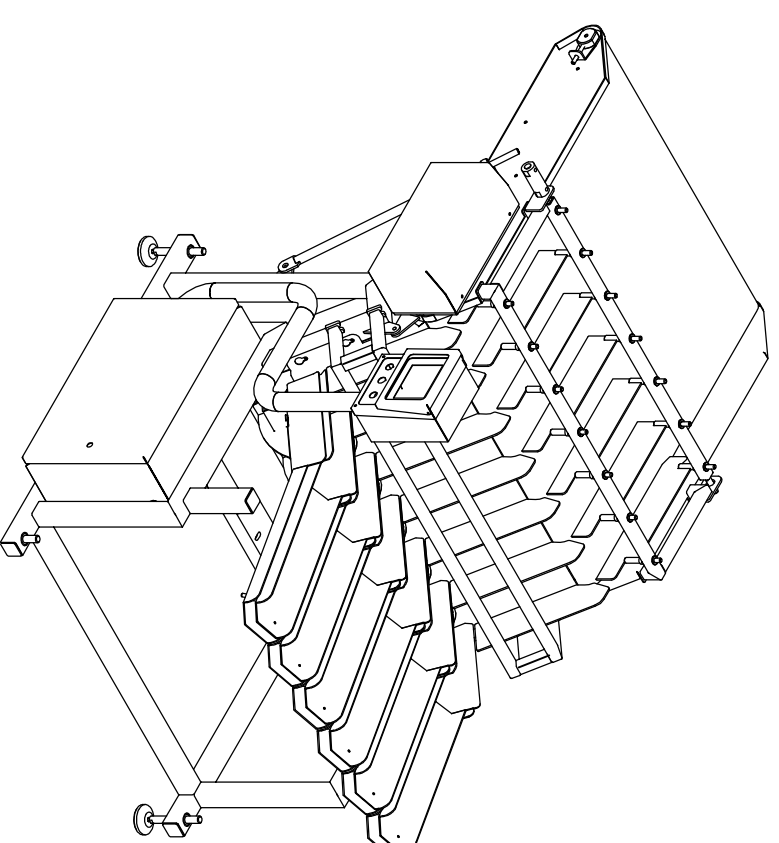
130

1318



1350



156 156 156 156 156 156



WARNING: PROPRIETARY AND CONFIDENTIAL INFORMATION. This document and the information set forth herein (the "Information") are confidential and proprietary to DanTech UK Ltd ("DanTech"), constitute trade secrets and derive independent economic value, actual or potential, from not being generally known. In consideration of you receiving this document you agree (i) to keep the Information secret, (ii) only to use the Information for your own needs to accomplish the task(s) agreed with DanTech, (iii) not to disclose any part of the Information to any third party and (iv) not to make copies or reproductions thereof by whatsoever means.

 Dantech UK Ltd Meltham Park Ringhill Road, Burscough, Lancashire L40 8UY Great Britain Tel: +44 (0)945 127 9080 Fax: +44 (0)945 127 9081 Email: sales@dantechuk.com www.dantechuk.com		PROJ.	Client	
			Patty Stacker Model PS1-2	
MATERIAL St Steel 1.4301 (304)		CAD / COMMENT	ITEM	
LAST REV. DATE		FORMAT	DRAWING NO.	
DATE	SIGN.	APPD.	SCALE	REV.
03.2014	MW		1:20	PS-6.01
			MASS (kg)	
			360 kg	