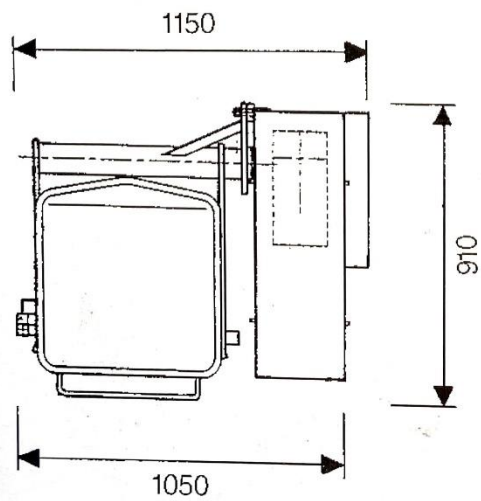


Model left



Model right

